

UTP7202GR-BTPOE(90)

Gigabit 802.3af/at/bt PoE Ethernet repeater

Overview

Gigabit 802.3af/at/bt PoE Ethernet repeater, which uses advanced network cable drive and power supply technology to extend 1000Mbps Ethernet signal to 100 meters, greatly extending the transmission distance and providing 50~57V PoE power at the same time, the PoE output power can be up to 81W. IP67-rated, industrial grade enclosure can meet requirement of harsh environment, working temperature can be up to -40~75°C. it is widely used in security surveillance and network project.

Features and Highlights



Provide 10/100/1000Mbps Ethernet ports

- 1* 802.3bt PoE input port, 2*802.3bt/at/af PoE output ports.

Utilizes the advanced network cable drive technology

- The longest distance can be up to 100 meters.

Support PoE Power Supply

- Compatible with end-span and mid-span, PoE output port auto detect powered device and the output power.

Industrial Grade Repeater

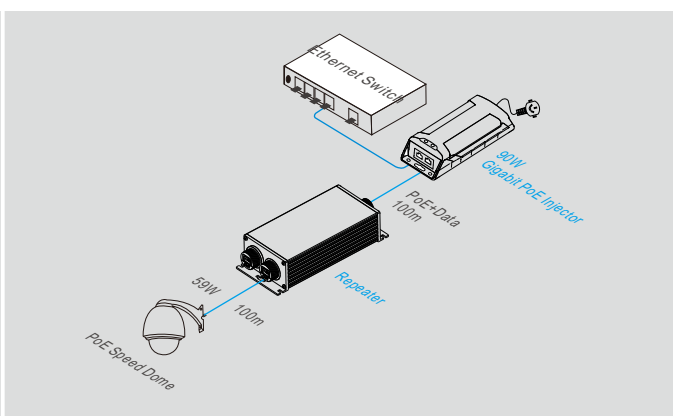
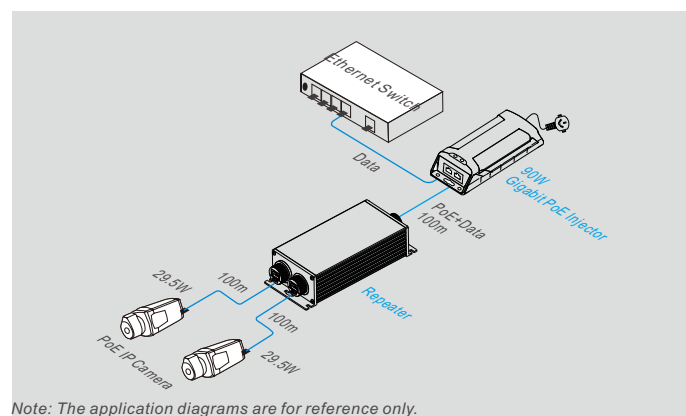
- IP67-rated industrial grade enclosure.
- Working temperature can be up to -40~75°C.

Easy to use

- Plug and play.
- Could be installed on the wall and desk-top.
- No need for RJ45 assembly, special designed waterproof joint allows RJ45 pass through directly.



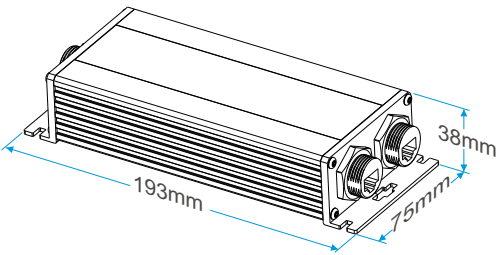
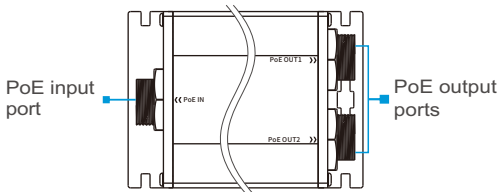
Applications



Specifications

Item	UTP7202GR-BTPOE(90)
Ethernet Ports	
PoE Input Port	10/100/1000Base-TX RJ45, IEEE 802.3bt PoE Input Input Power 50~57V DC, Max 90W
PoE Output Port	2*10/100/1000Base-TX RJ45, IEEE 802.3bt/at PoE Output Output Power: Max 81W in total, 73.7W@ 101m, 59W@ 200m
Cascade connection	Support 3 grade
PoE	
PoE Standard	IEEE 802.3 af/at/bt
PoE Power Supply Type	Mid-span and End-span
PoE Pin Assignment	1/2(+), 3/6(-),4/5(+), 7/8(-)
Switch Property	
Standards	IEEE 802.3, IEEE 802.3u, IEEE 802.3ab
Forwarding Modes	Store and Forward
Transmission Distance	100m
MAC Table	8k
Switching Capacity	6Gbps
Packet Forwarding Rate	4.46Mpps
Flow Control	IEEE 802.3x pause frame for full duplex, Back pressure for half duplex
Jumbo Frame	10kB
Environment	
Surge Immunity	6kV, Standard: IEC6000-4-5
ESD Protection	6kV 1a Contact Discharge Level 3, 8kV 1b Air Discharge Level 3, Standard: IEC61000-4-2
Protection Level	IP 67
Operating Temperature	-40°C~75°C
Storage Temperature	-40°C~85°C
Operating Humidity	0~95% (Non-condensation)
Physical Parameter	
Dimensions (W*D*H)	193mm*75mm*38mm
Gross Weight	576g
Net Weight	467g
Material	Aluminum
Certifications	
Certifications	CE, FCC, RoHS

Appearances and Dimensions

Dimensions	Panels
	

Packing List

Welcome to order our products. After purchasing, you will receive:

Item	Quantity
PoE Ethernet Repeater	1
Waterproof Joint	3
User Manual	1

More Information

For more information, please visit:

<http://www.utepo.net>

SHENZHEN UTEPO TECH CO., LTD.

Head quarter: 5F, Building B, Tiange Science and Technology Park, NO.2, Luozu Industrial Avenue, Shi'yan Street, Bao'an District, Shenzhen, Guangdong, China

Tel: +86-755-83898016-863 or +86-1501-2669-765 (Sales)

Email: info@utepo.net (Sales), support@utepo.net (Technical support)

©2020 SHENZHEN UTEPO TECH CO., LTD. All Rights Reserved.

Version,V2.0, updated 2020.07.10.

The information in this document is subject to change without notice.

Every effort has been made in the preparation of this document to ensure accuracy of the contents, but all statements, information, and recommendations in this document do not constitute a warranty of any kind, express or implied.