

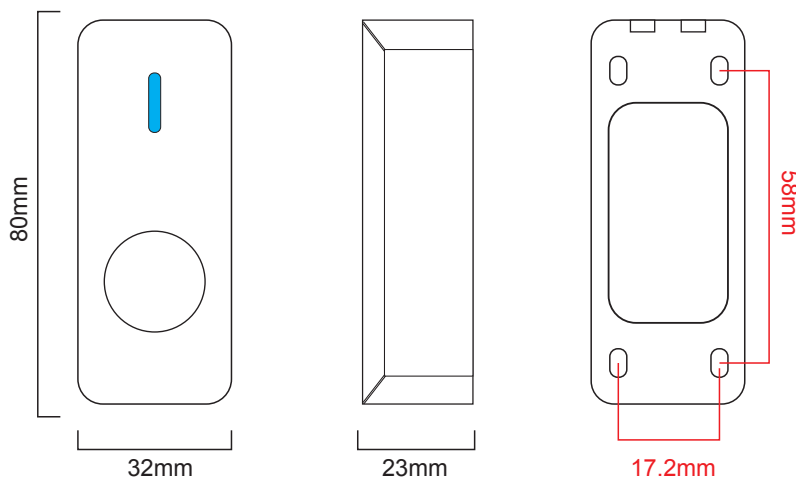
# Touchless Sensor Exit Button

Model: T3NT-DT

## Specification

- **Dimensions:** 80L\*32W\*23H(mm)
- **Power:** DC12/24V
- **Output Contact:** NO/NC/COM
- **Mechanical Life:** 500,000 Tested
- **Mounting Way:** Surface Mount
- **Material:** Zinc Alloy
- **Weight:** 0.105kg
- **Operating Temp:** -20℃ ~+55℃ (14-131F)
- **Operating Humidity:** 0-95%(relative humidity)
- **Sensitive Distance:** 5-20cm (Adjustable)
- **LED Indicator:** Blue LED (Standby)  
Green LED (Active)
- **Time delay:** 0.3-30s (Adjustable)
- **Package Quantity:** 100PCS/38.5\*38.5\*12cm/ctn

## Product Dimension



## Instructions



VR1: Time Delay

- ☑ Turn left short
- ☑ Turn right long



VR2: Sensitive Distance

- ☑ Turn left near
- ☑ Turn right far



(Standby)



(Active)

